

RealBark

Assembly Instructions

For QuadPod w/ Shooting Rail Only

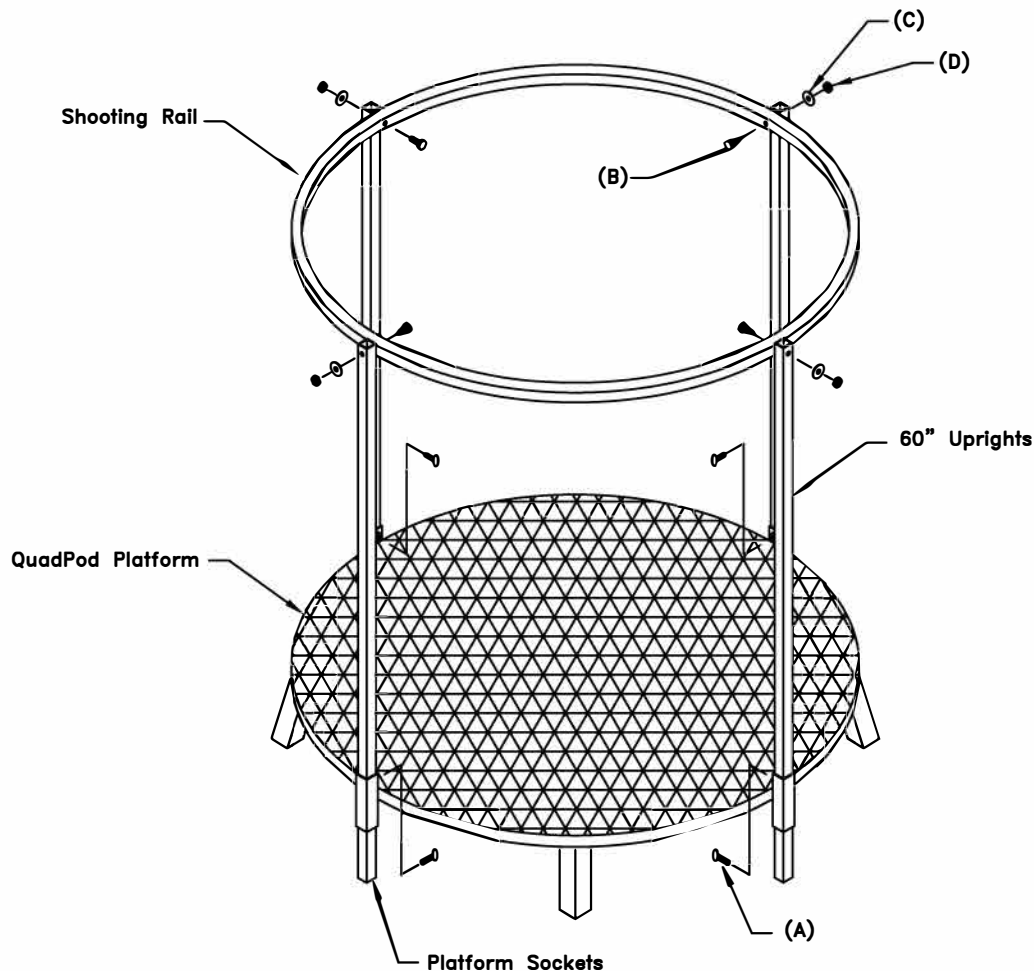
READ ALL INSTRUCTIONS CAREFULLY BEFORE STARTING ASSEMBLY

1

Attach Uprights to Shooting Rail w/ bolts, nuts and washers. Insert bolts from inside the shooting ring. After installing all four (4) uprights, slip shooting rail assembly into Platform Sockets and secure with thumb screws. Height of shooting rail can be adjusted from bottom w/ thumb screws.

HARDWARE SCHEDULE

- (A) 4 - Thumb Screws
- (B) 4 - 5/16" X 2 1/2" Hex Head Bolts
- (C) 4 - 5/16" Lock Washers
- (D) 4 - 5/16" Hex Nuts



Note:

If purchased, QuadPod Wrap Around Covers can be attached at this time.

RealBark[®]

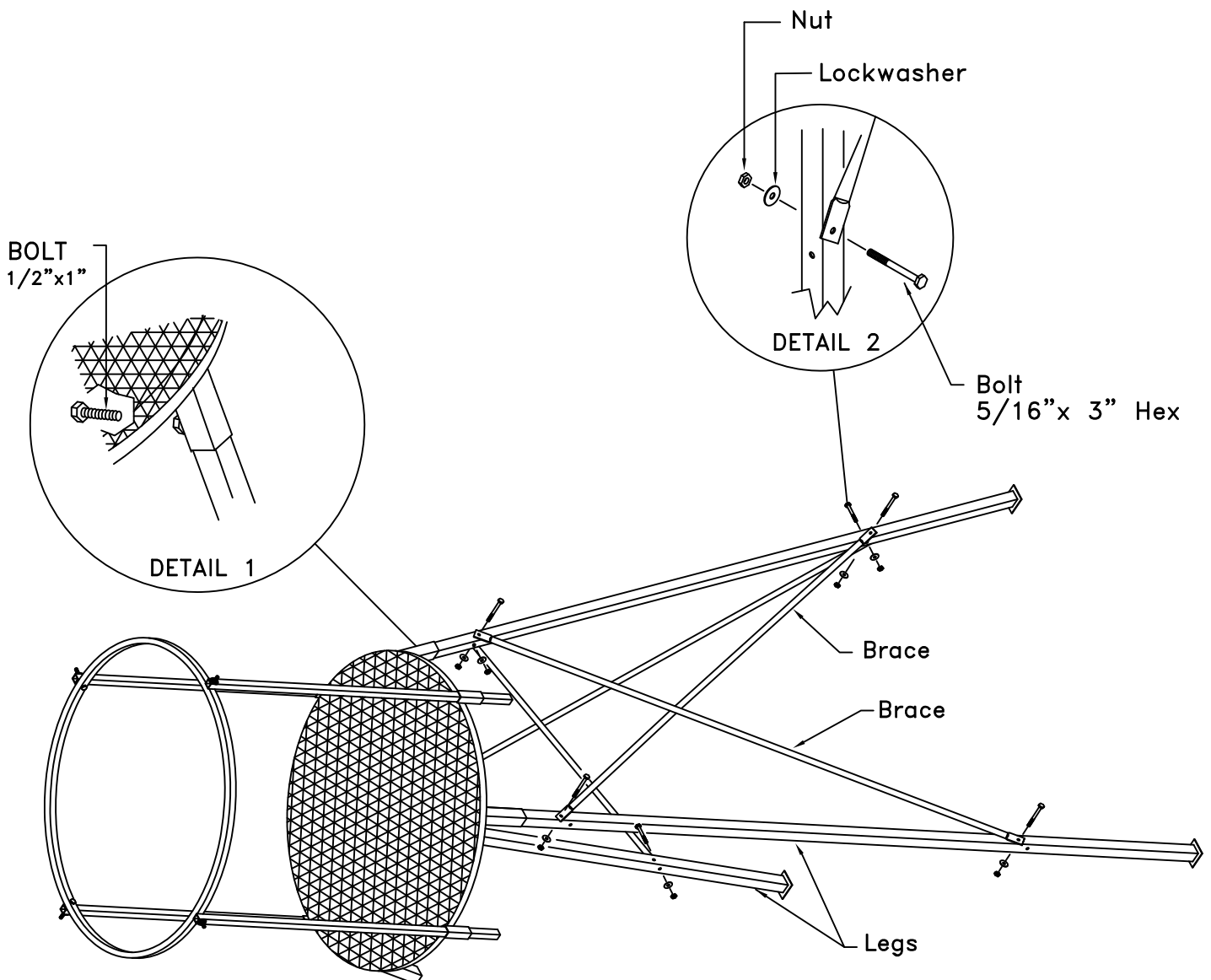
Assembly Instructions

For QP-17 QuadPod

2

Carefully lay the platform top on its side. Insert three legs into the sockets of the ring furthest from the ground. Secure legs by installing the 1" x 1/2" jam bolts into the nuts welded to each leg socket as shown in DETAIL 1. Tighten bolts securely (overtightening bolts may result in damage to legs.)

Attach the leg braces, as shown in DETAIL 2, by installing the 5/16" x 3" bolts through the brace. Hand tighten only, until all braces are installed.



RealBark[®]

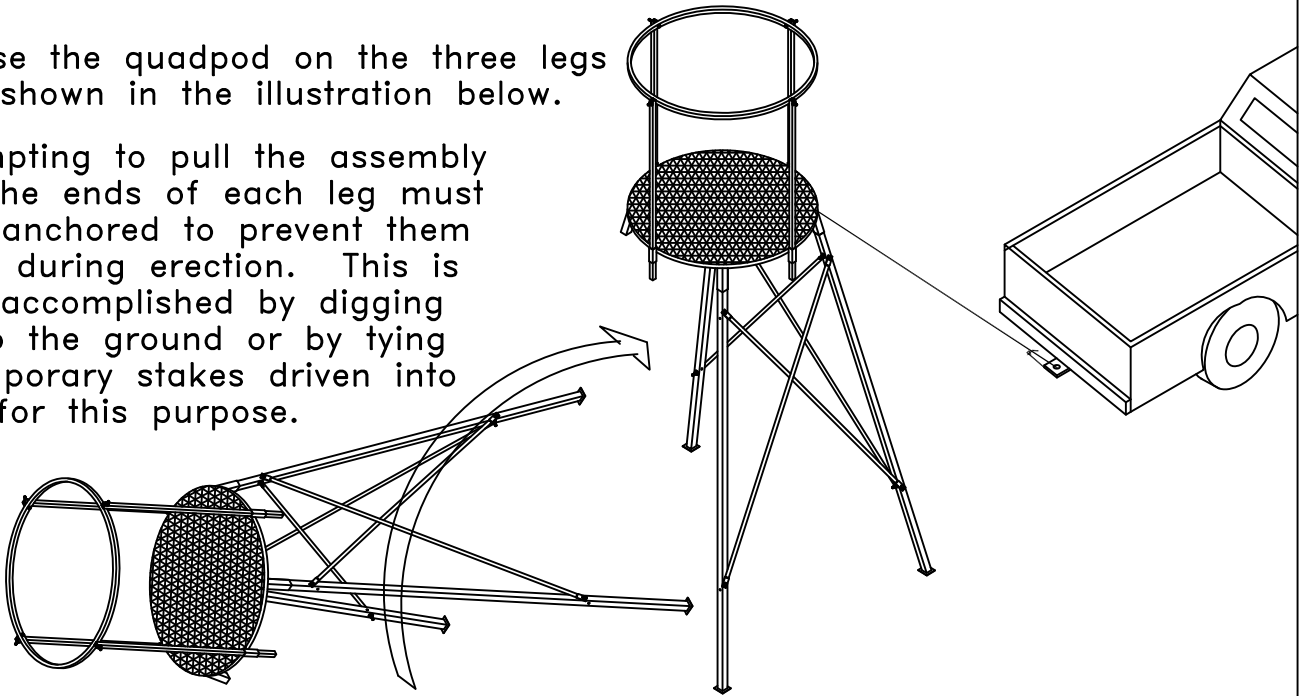
Assembly Instructions

For QP-17 QuadPod

3

Raise the quadpod on the three legs as shown in the illustration below.

Before attempting to pull the assembly into place, the ends of each leg must be securely anchored to prevent them from sliding during erection. This is most easily accomplished by digging the legs into the ground or by tying them to temporary stakes driven into the ground for this purpose.



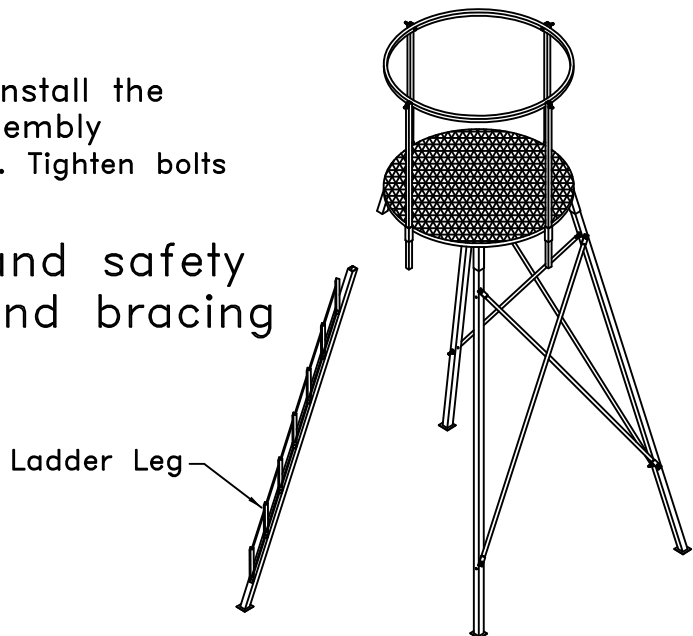
CAUTION : Never stand under or near the QuadPod as it is raised to its full upright position. Use extreme caution to prevent pulling QuadPod past vertical.

The assembly must be raised by hand or assisted in its ascent until the top ring is 4 to 5 feet off the ground to prevent accidental buckling of the legs. Do not use a type of rope or strap which will stretch, as the elastic action could snap the assembly past vertical and possibly over. A safety rope secured to the opposite side of the platform, from the pull rope, is also recommended to prevent accidentally pulling the QuadPod over.

4

With the aid of a helper install the ladder leg and let the assembly rest in its upright position. Tighten bolts against vertical legs.

Do not remove the pull and safety ropes until all the legs and bracing have been installed.



RealBark[®]

Assembly Instructions

For QP-17 QuadPod

5

Complete the assembly by installing the remaining braces. All braces are equal lengths. Tighten all hardware after the QuadPod assembly is complete.

See QuadPod Top Assembly, if purchased, for further detail.

